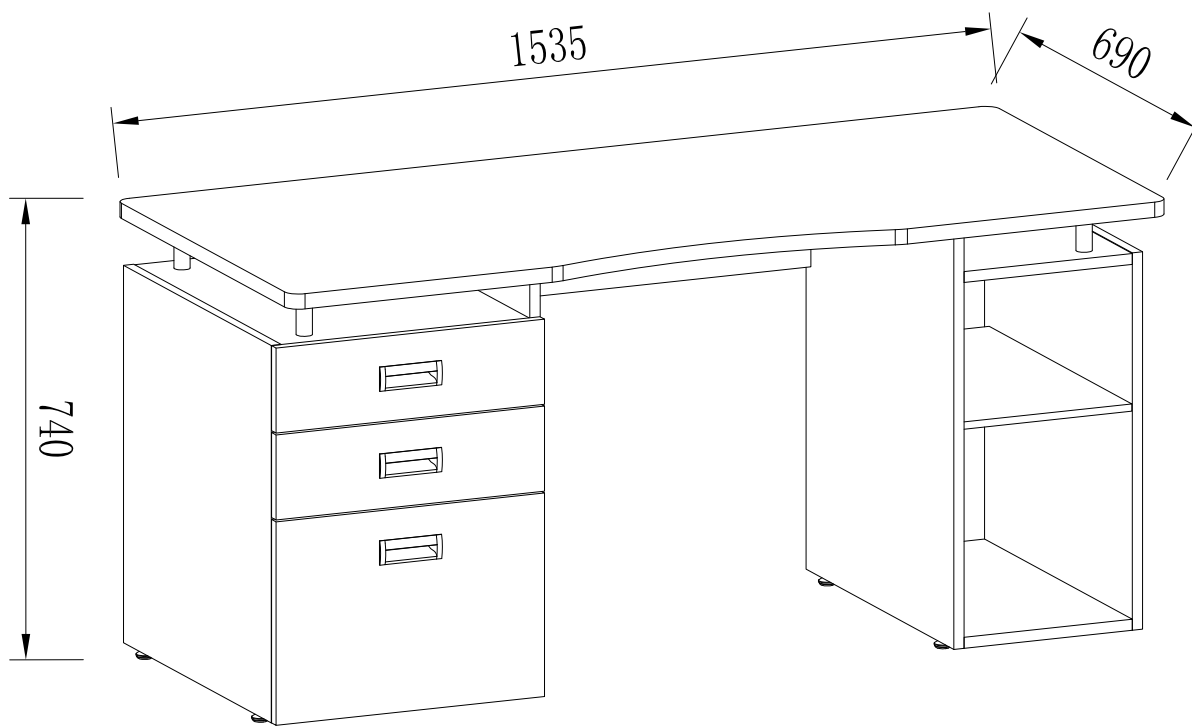




**ASSEMBLY INSTRUCTION
STATEN OFFICE DESK
ITEM CODE 61325**

Imported by Amart Furniture Pty Ltd. Qld. Brisbane Australia.
For any assistance with assembly or for missing parts please phone
Amart Furniture, Customer Service Free call 1800 351 084

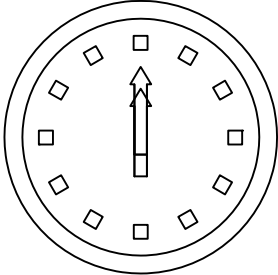

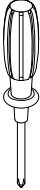


Imported by Amart Furniture Pty Ltd. Qld. Brisbane Australia.
For any assistance with assembly or for missing parts please phone Amart Furniture,
Customer Service Free call 1800 351 084

PRE-ASSEMBLY PREPARATION

Before you start:

1. Choose a clean, level, spacious assembly area. Avoid hard surfaces that may damage the product
2. Take care when lifting. Product should be assembled as near as possible to the point of use
3. Ensure that you have all required contents for complete assembly.
4. Always read the assembly instructions carefully before beginning assembly.
5. Keep all hardware parts and packaging out of reach of small children.
6. Do not over tighten the screws and bolts as this may damage the threads

 <p>ALLOW 60 MINUTES</p>	 <p>1 PEOPLE REQUIRED</p>
 <p>ADDITIONAL TOOLS REQUIRED</p>	

! TIPPING WARNING !	
	<p>Serious or fatal injuries may occur from furniture toppling over. To help avoid this please follow the below recommendations:</p> <ul style="list-style-type: none">• Install the provided "Tipping Kit" as per the instructions• Never allow children to climb on or hang off of any part of this product• Unless specifically designed to accommodate, do not set TVs or other heavy objects on top of this product <p>If this product has drawers:</p> <ul style="list-style-type: none">• Place the heaviest items in lowest drawers• Do not open more than 1 drawer at a time as this may cause the product to become unbalanced• Do not tamper with or remove any drawer interlocking/running system <p>Note: The use of the provided "Tipping Kit" may reduce but not necessarily eliminate the risk of furniture toppling over. Please use this product with caution.</p> <p><i>This is a permanent label. Do not attempt to remove!</i></p>

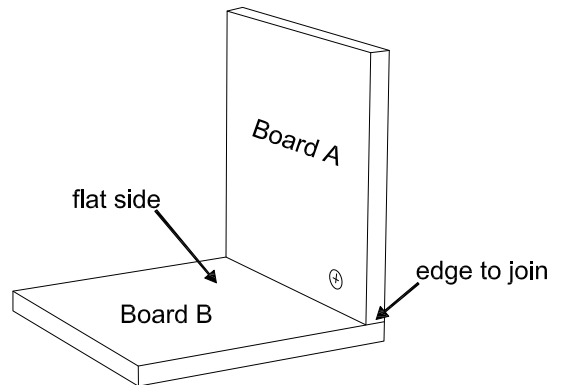
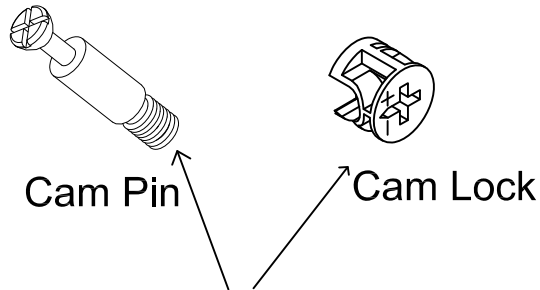
CAM Lock and Pins

step 1

HOW TO USE CAM LOCK FASTENERS

To assemble this product hardware called Cam Lock Fasteners are used. The below is information on how these work.

Cam Locks are fasteners used to join two boards together, usually the edge of one board(A) to the flat side of another board(B)



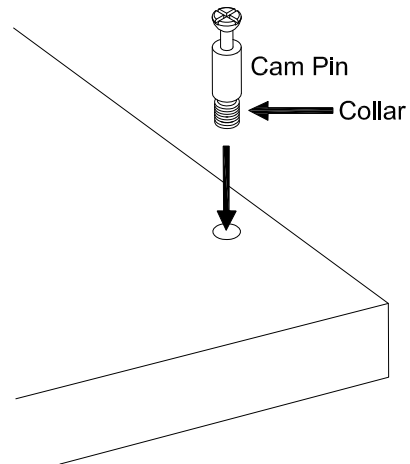
Ensure that you use the correct images that are representative of the hardware used in the product

step 2

To use Cam Lock Fasteners

The Cam Pin is inserted into the flat side of a board, it is important that:

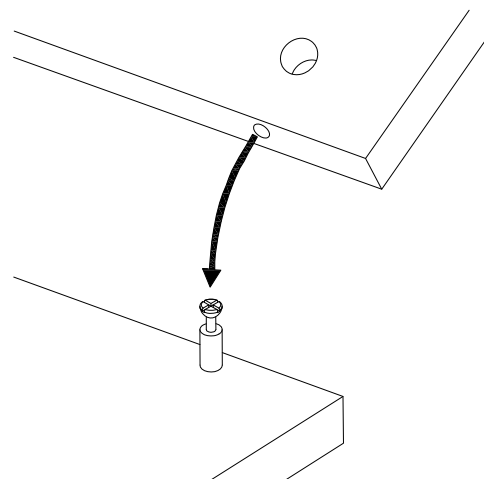
- * The cam pin is kept vertical and is not put in on an angle
- * Cam Pin is inserted up to the collar
 - * Too far and it wont catch the Cam Lock (Do not Over Tighten)
 - * Not enough and the resulting product wont be stable



step 3

To use Cam Lock Fasteners

Now fit the hole in the edge of the joining board over the Cam Pin

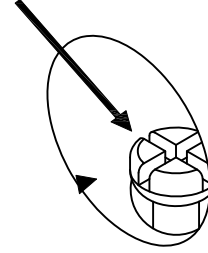


step 4

To use Cam Lock Fasteners

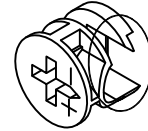
The Head of the Cam Pin will be visible in the large hole on the side of the joining board

head of the Cam Pin



To use Cam Lock Fasteners

Notice the Cam Lock has a "C" Shaped back An Arrow or +/- signs on the front, indicated the open section on the back of the Cam Pin



Cam Lock

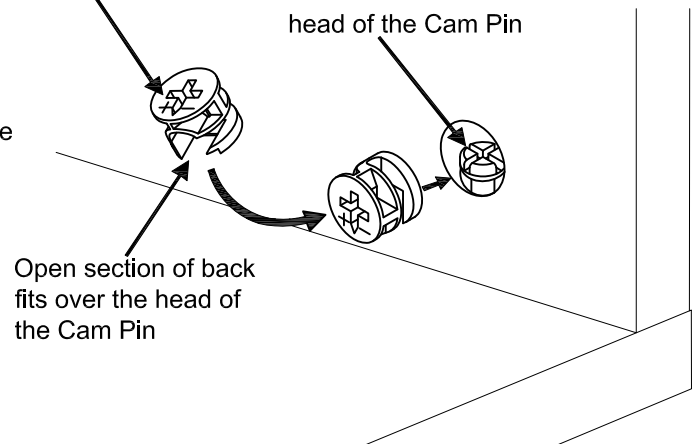
step 5

To use Cam Lock Fasteners

In sert the Cam Lock into the large hole so the opening of the "C" fits over the head of the Cam Pin. You must ensure that the Cam Lock is pushed to the bottom of the hole to catch the top of the Cam Pin

Arrow or +/- signs

head of the Cam Pin

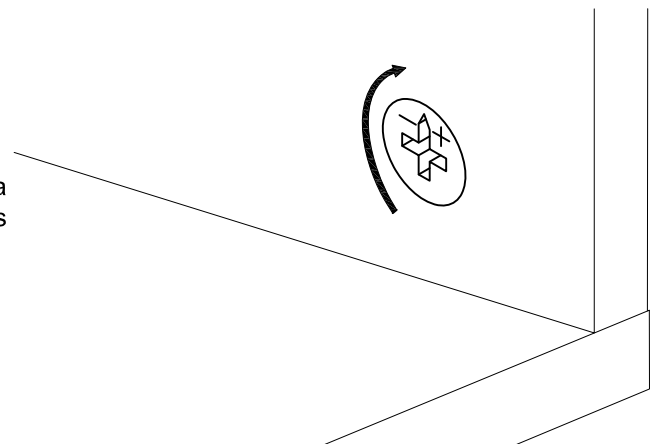


Open section of back fits over the head of the Cam Pin

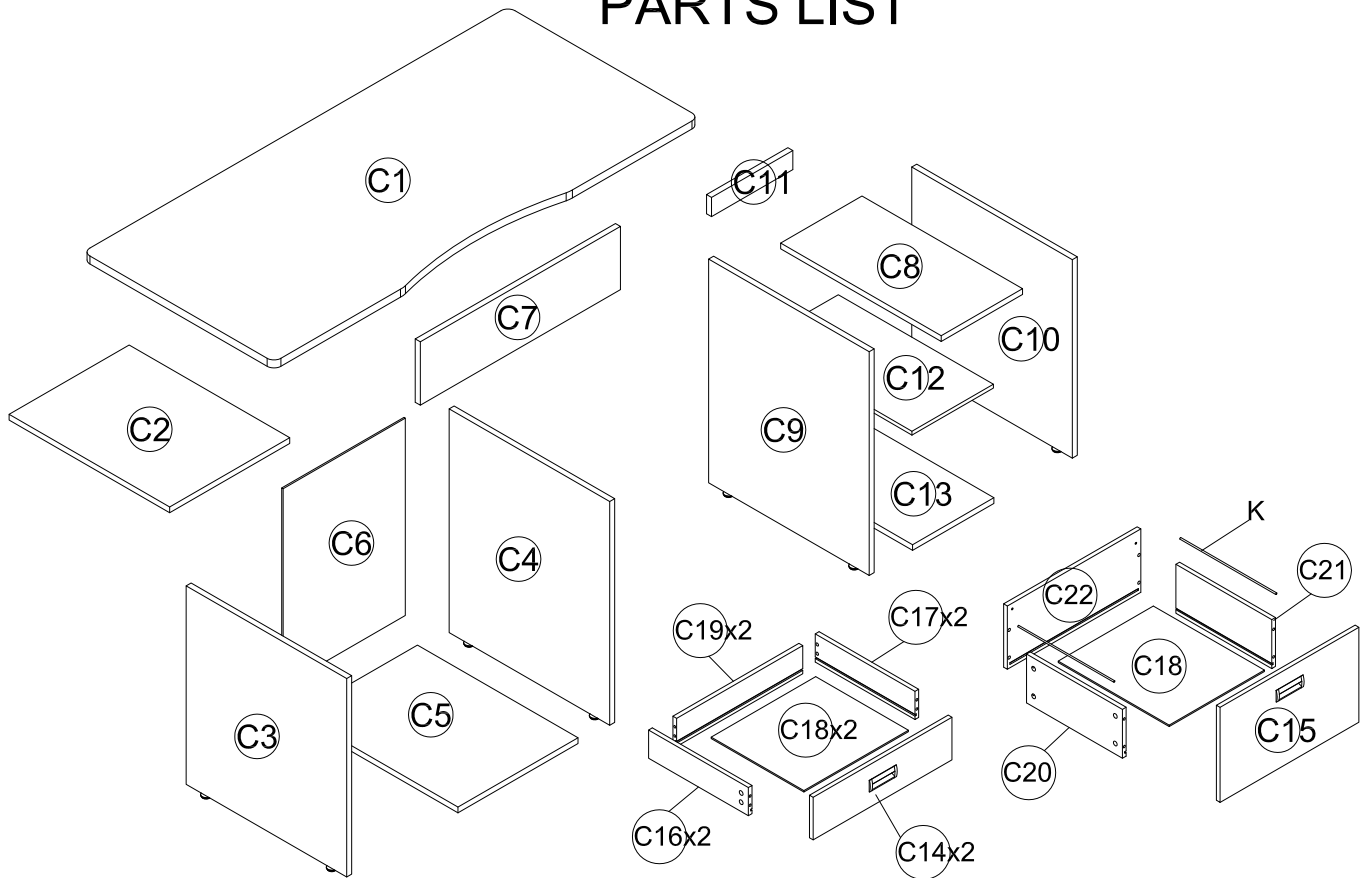
step 6

To use Cam Lock Fasteners


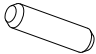


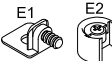
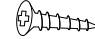



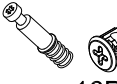


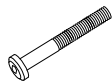
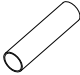
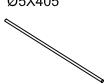
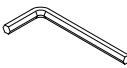

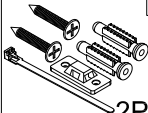

Use a flat screwdriver to turn the Cam Lock clockwise one half a turn so it Locks onto the head of the Cam Pin. Turn only until it is snug-over-tightening could cause the Cam to bend or break. If it will not turn the full amount, turn the Cam Pin out (counter-clockwise) one full turn, and try the Cam Lock again.



PARTS LIST



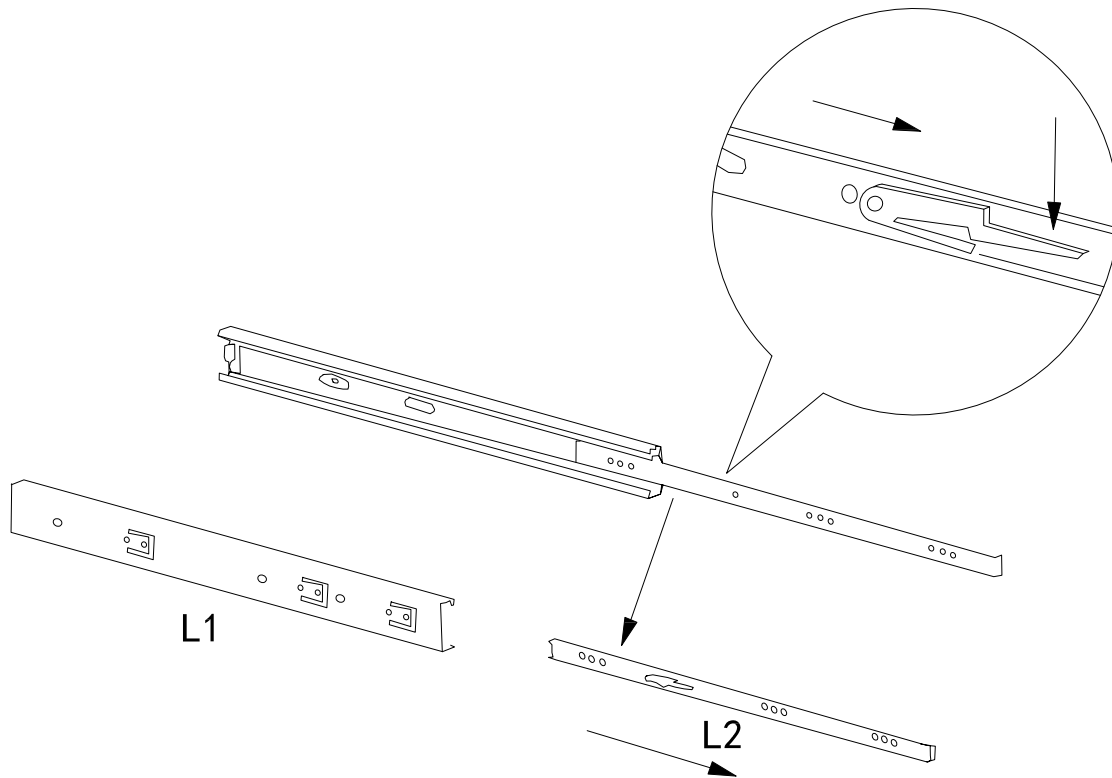
C1	Top Panel	C12	Right Side Unit Shelf Panel
C2	Left Side Unit Top Panel	C13	Right Side Unit Bottom Panel
C3	Left Side Unit Left Side Panel	C14	Small Drawer Front Panel
C4	Left Side Unit Right Side Panel	C15	Big Drawer Front Panel
C5	Left Side Unit Bottom Panel	C16	Small Drawer Left Side Panel
C6	Left Side Unit Back Panel	C17	Small Drawer Right Side Panel
C7	Back Connect Panel	C18	Drawer Bottom Panel
C8	Right Side Unit Top Panel	C19	Small Drawer Back Panel
C9	Right Side Unit Left Side Panel	C20	Big Drawer Left Side Panel
C10	Right Side Unit Right Side Panel	C21	Big Drawer Right Side Panel
C11	Right Side Unit Back Rail	C22	Big Drawer Back Panel

A.Cam lock and Cam pin Ø15X35  40PCS	B.Dowel Ø8X30  24PCS	C.Screw Ø3.5X12  36PCS	D.Screw Ø3.5X30  8PCS	E.Shelf support fluting Ø18  4PCS	F.Screw Ø3X18  4PCS	G.Connector  4PCS
H. Adjust leg M6x31  8PCS	I.Cover Ø20X1mm  30PCS	J.Cam lock and Cam pin Ø12X20  16PCS	K.Bolt M4X8  6PCS	L.Runner 400mm  6PCS	M.Bolt M8X100  4PCS	N.Round tube Ø20X80  4PCS
O.Hanger bar Ø5X405  2PCS	P.Hex Key 5MM  1PCE	Q.Handle  3PCS			R.Belt  2PCS	S.Glue  1PC

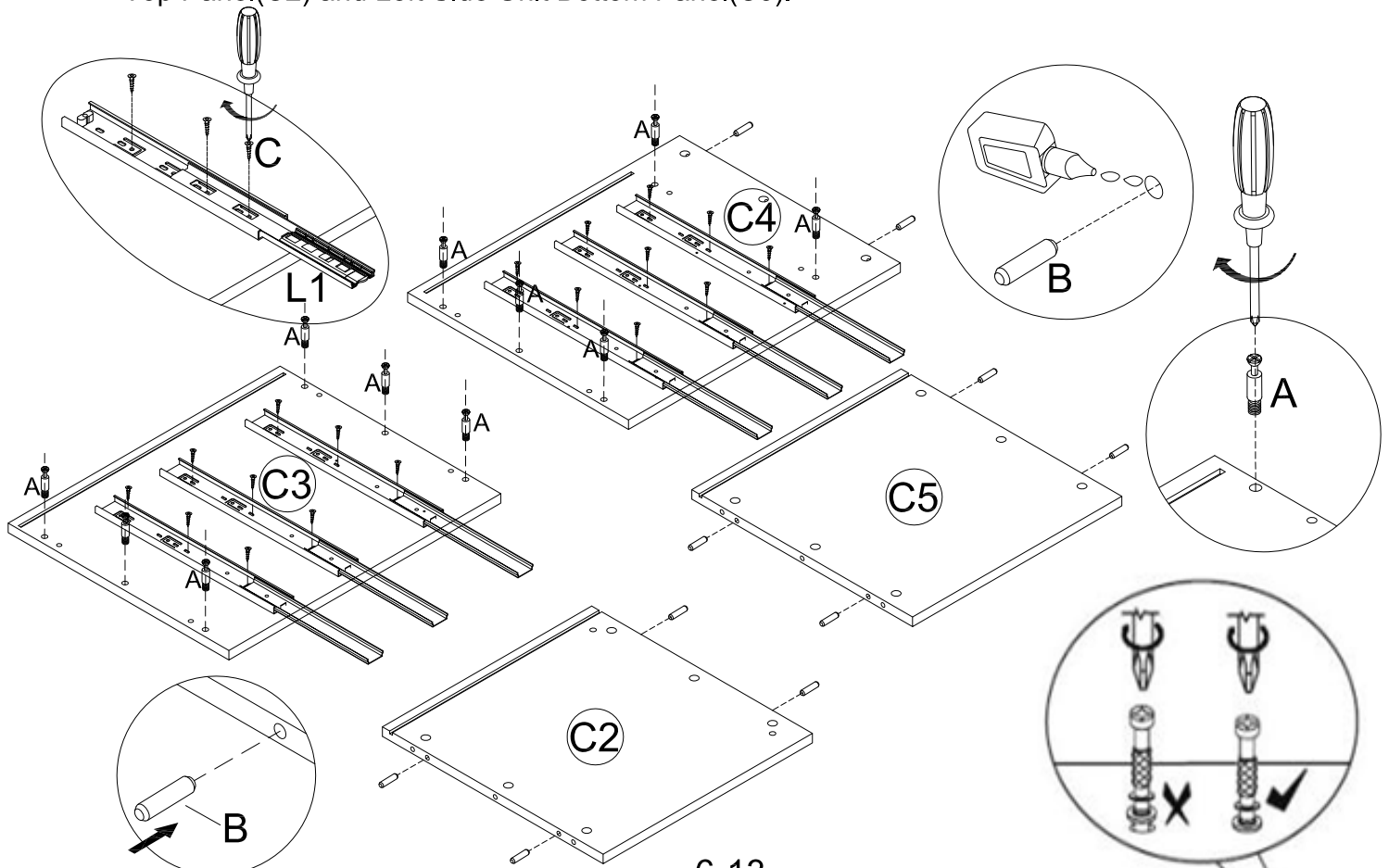
STEP 1:

Runner slide separately ($L=L1+L2$)

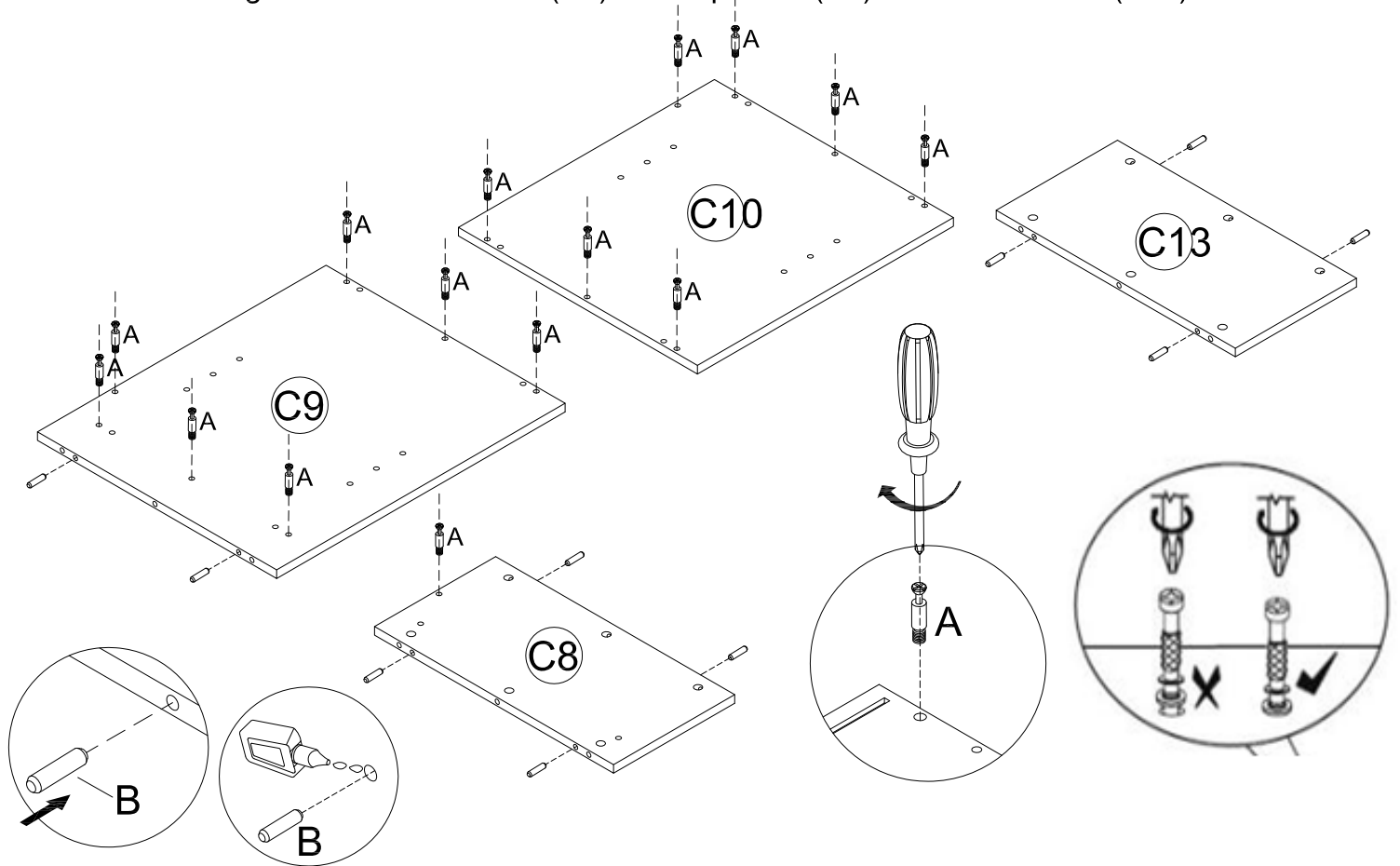
Carefully pull out the runner slide (L2) and press plastic clip to fully separate runner slide as diagram shown



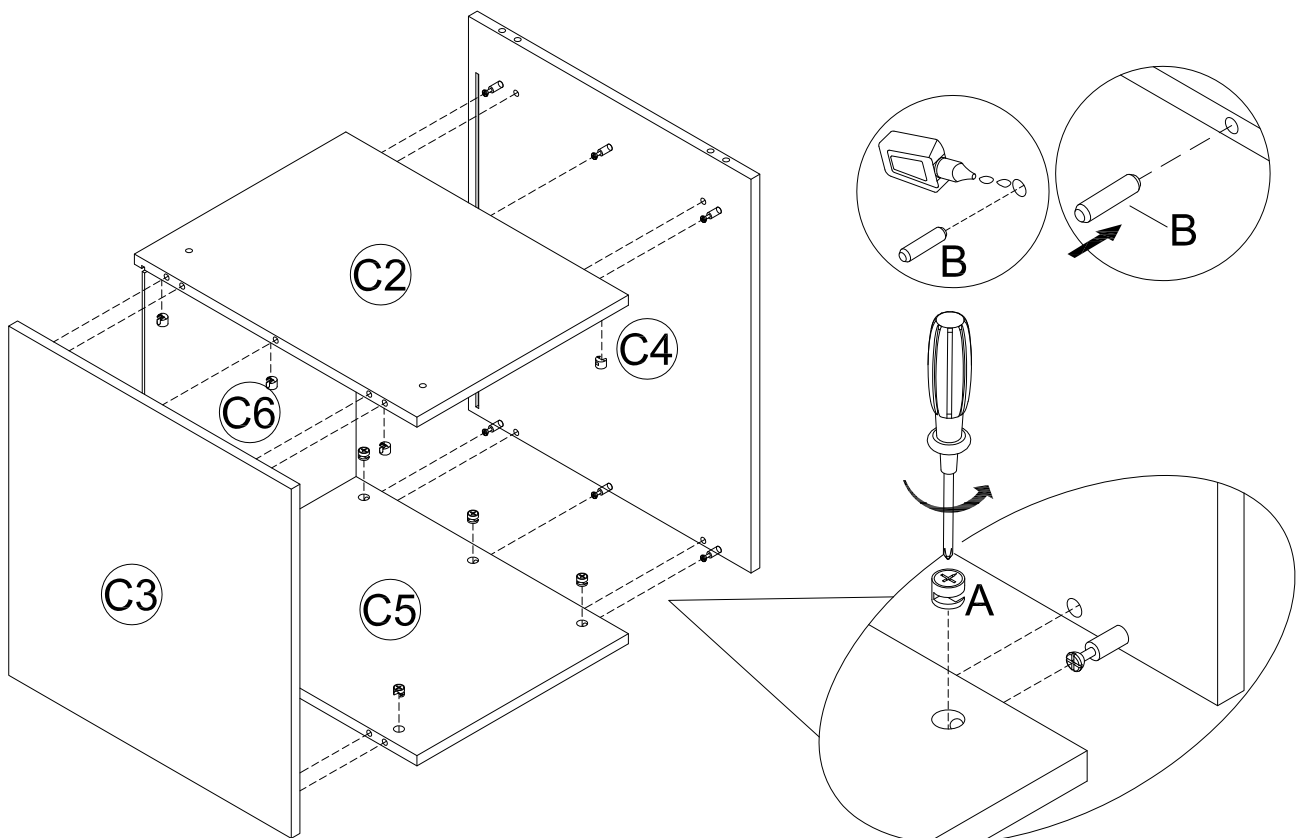
STEP 2: Use a Phillips Head Screw Driver to tighten the Runner (L1) to the Left Side Unit Left Side and Right Side Panel (C3, C4) with Screw (C), and Insert the Cam Pin (A) to the Left Side Unit Left side and Right side panel (C3, C4). Insert the Dowel (B) to the Left Side Unit Top Panel (C2) and Left Side Unit Bottom Panel (C5).



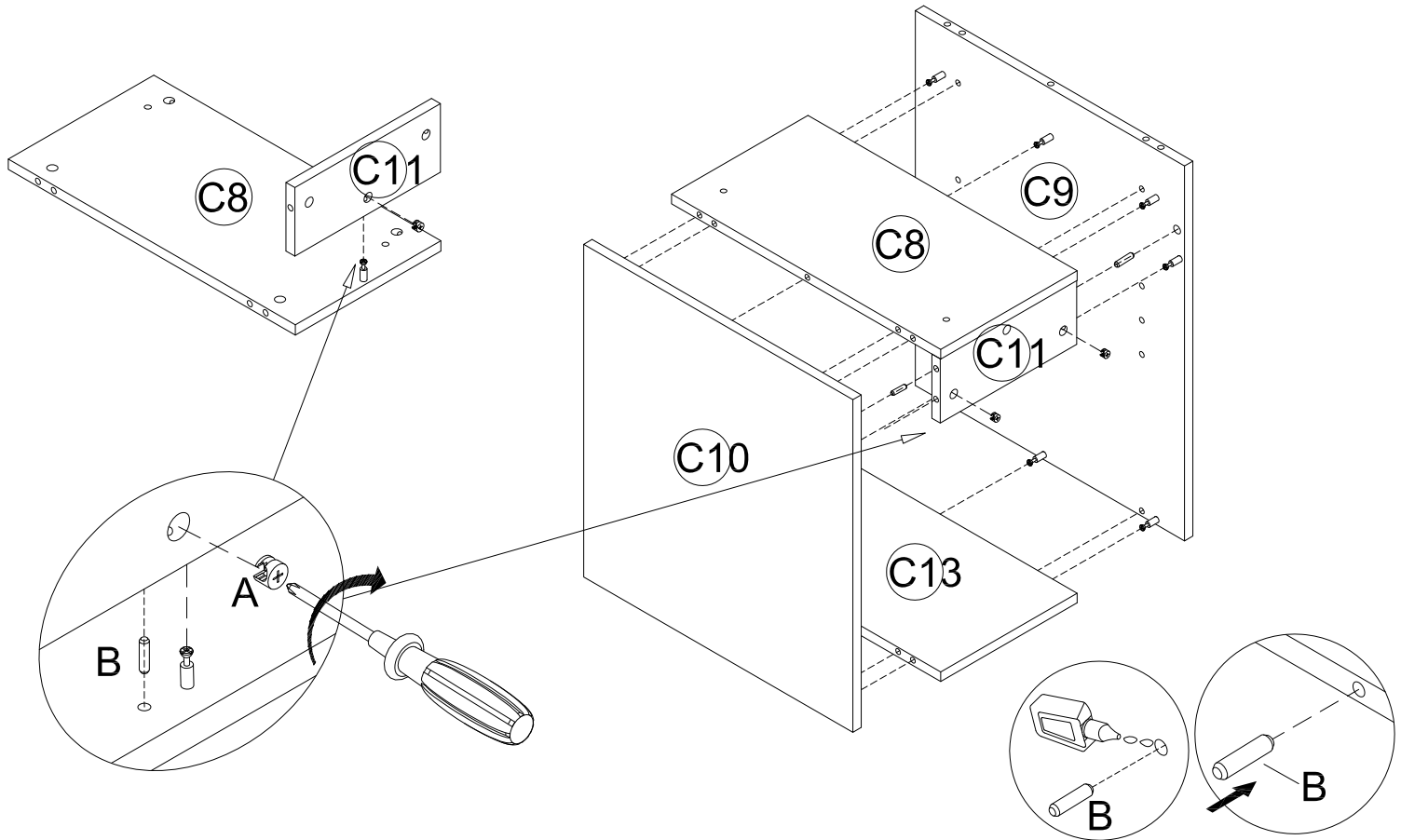
STEP 3: Use a Pillips Head Screw Driver to tighten the Cam Pin(A)to the Right Side Unit Left Side and Right Panel(C9,C10)and Top Panel(C8) Insert the Dowel(B)to the Right Side Unit Left Side(C9) and Top Panel(C8)and Bottom Panel(C13)



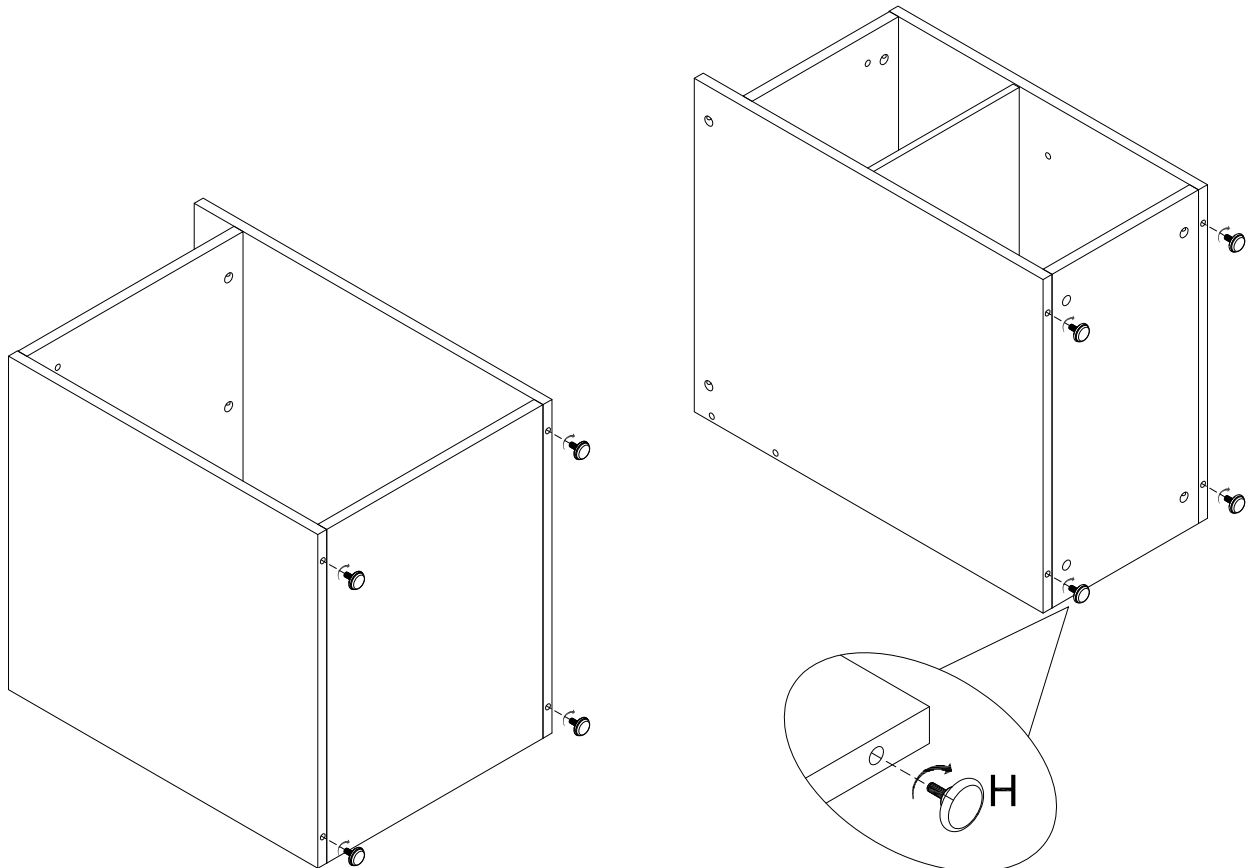
STEP 4: Insert the Left Side Unit Back Panel (C6)to the Left Side Unit Top Panel(C2)and Bottom Panel(C5),Use a Pillips Head Screw Driver to tighten the Left Side Unit Top Panel(C2)and Bottom Panel(C5)to the Left Side Unit Left Side and Right Side Panel(C3,C4)with Cam Lock(A).



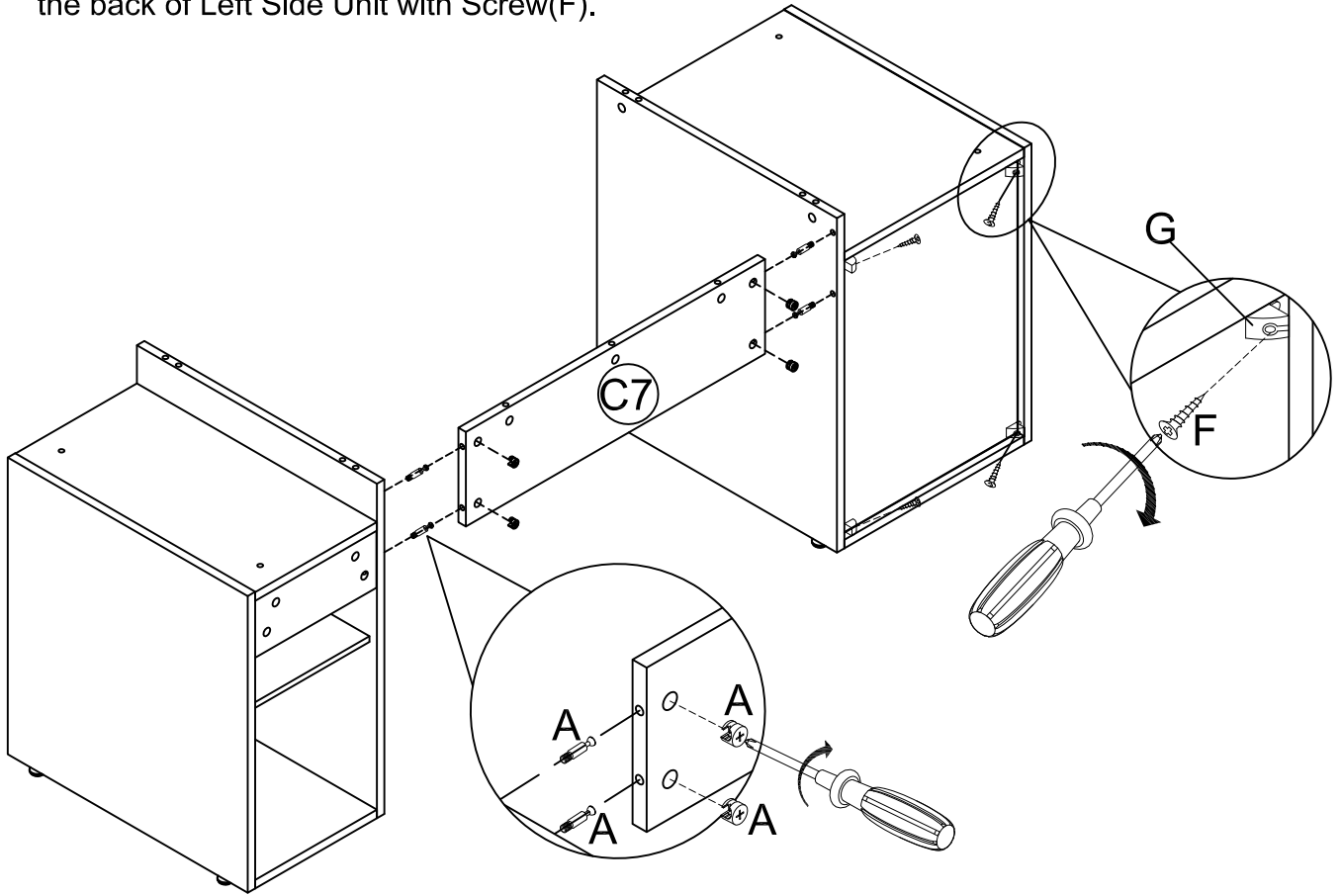
STEP 5: Use a Phillips Head Screw Driver to tighten the Right Side Unit Back Rail(C11)to the Right Side Unit Top Panel(C8)with Cam Lock(A),Use a Phillips Head Screw Driver to tighten the Right Side Unit Back Rail(C11)and Top Panel(C8)and Bottom Panel(C13)to the Right Side Unit Left Side and Right Side Panel(C9,C10)with Cam Lock(A).



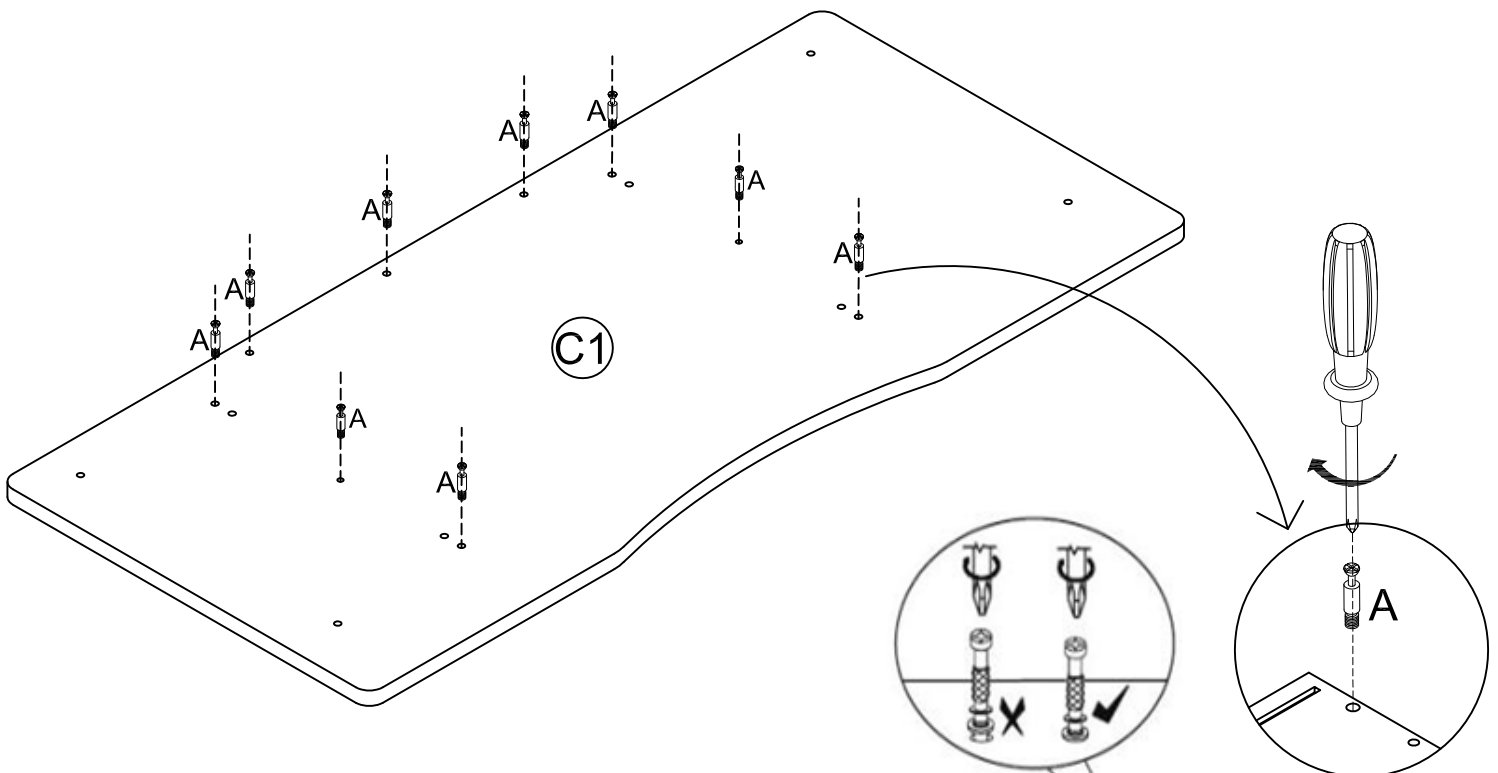
STEP 6: Insert the Adjust Leg(H)to the Left Side Unit Left Side and Right Side Panel(C3,C4)and Right Side Unit Left Side and Right Side Panel(C9,C10).



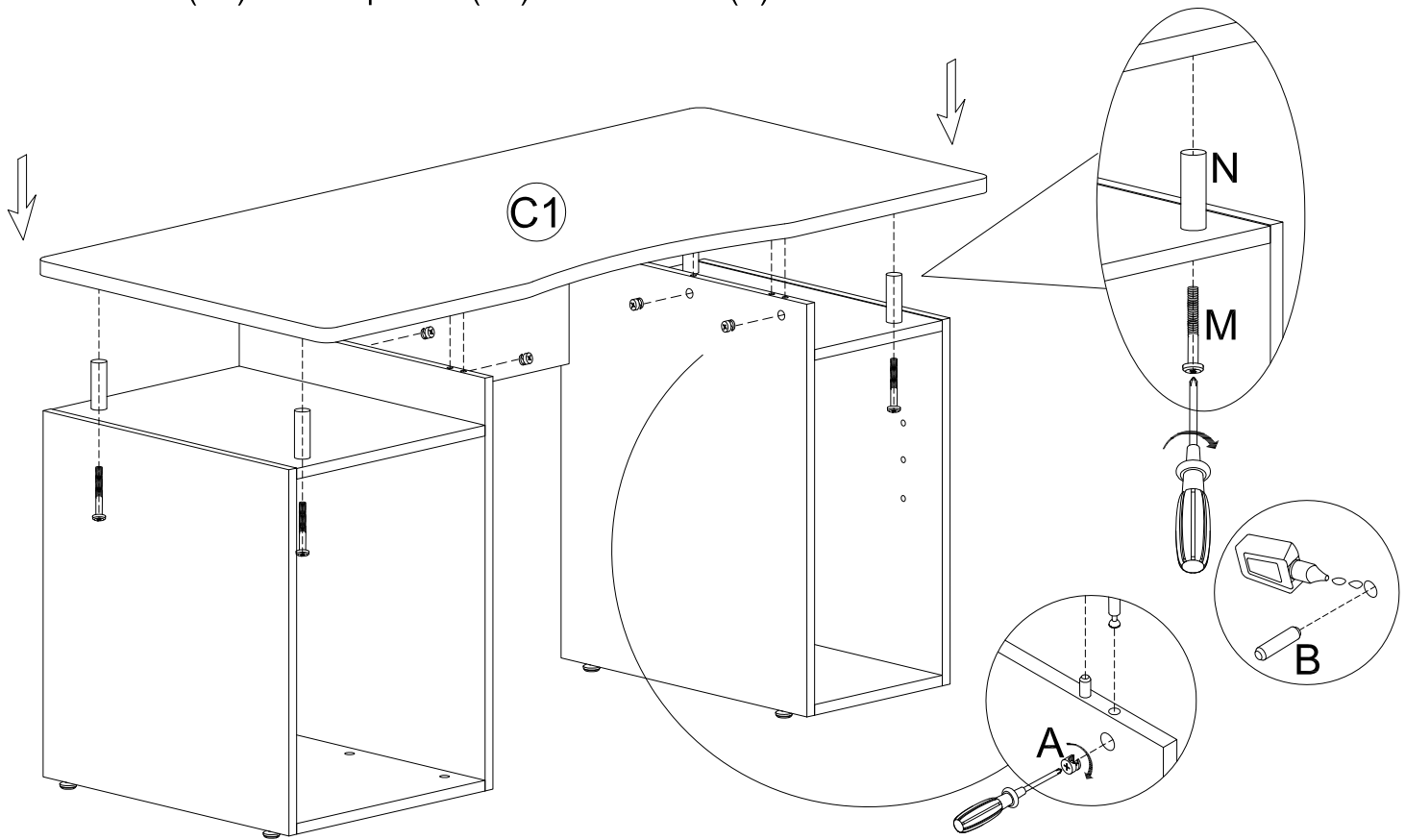
STEP 7: Use a Phillips Head Screw Driver to tighten Cam Pin(A)to the Left Side Unit Right Side Panel(C4) and Right Side Unit Left Side Panel(C9),Use a Phillips Head Screw Driver to tighten Back Connect Panel(C7)to the Left Side Unit Right Side Panel(C4)and Right Side Unit Left Side Panel(C9)with Cam Lock(A),Use a Phillips Head Screw Driver to tighten the Connector(G)to the back of Left Side Unit with Screw(F).



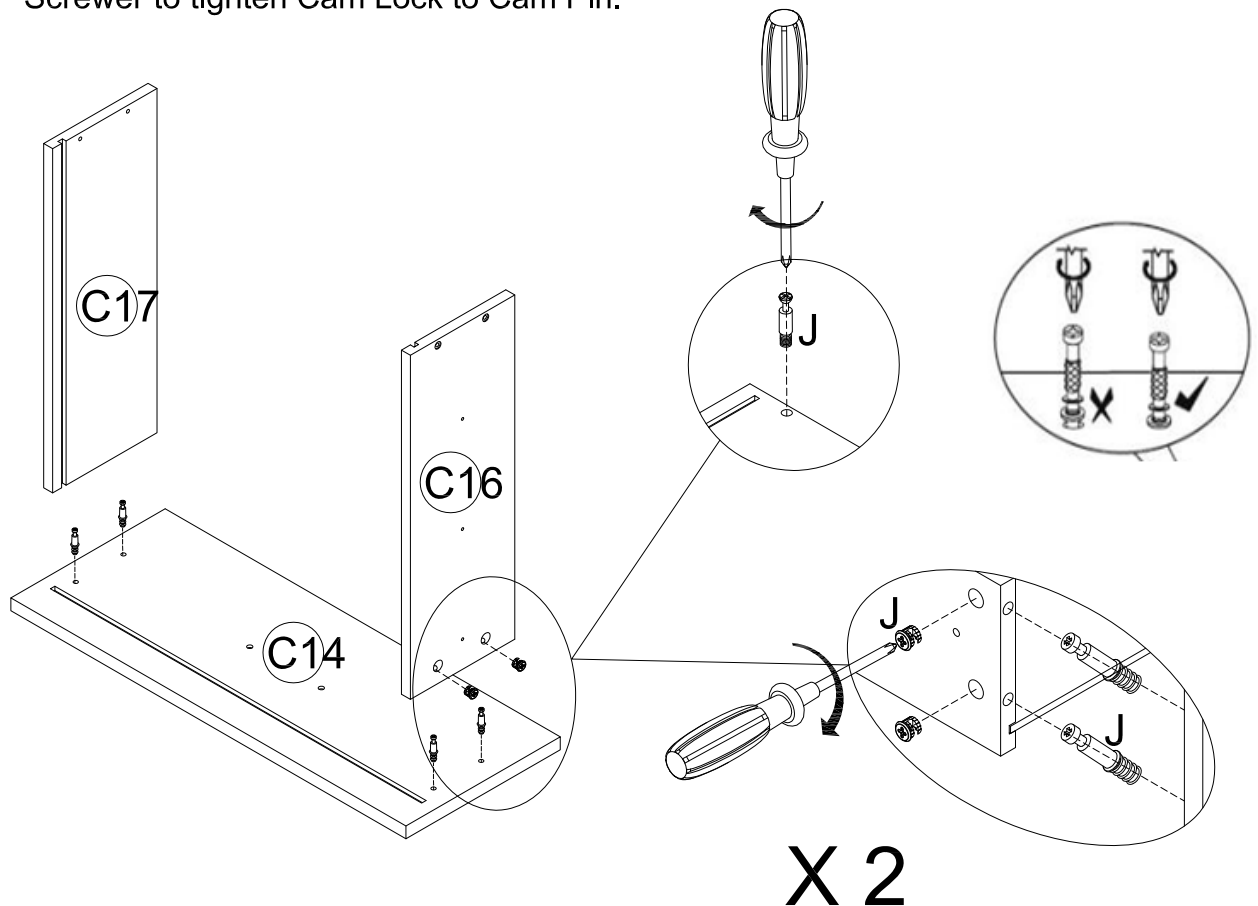
STEP 8: Use a Phillips Head Screw Driver to tighten Cam Pin(A)to the Top Panel(C1).



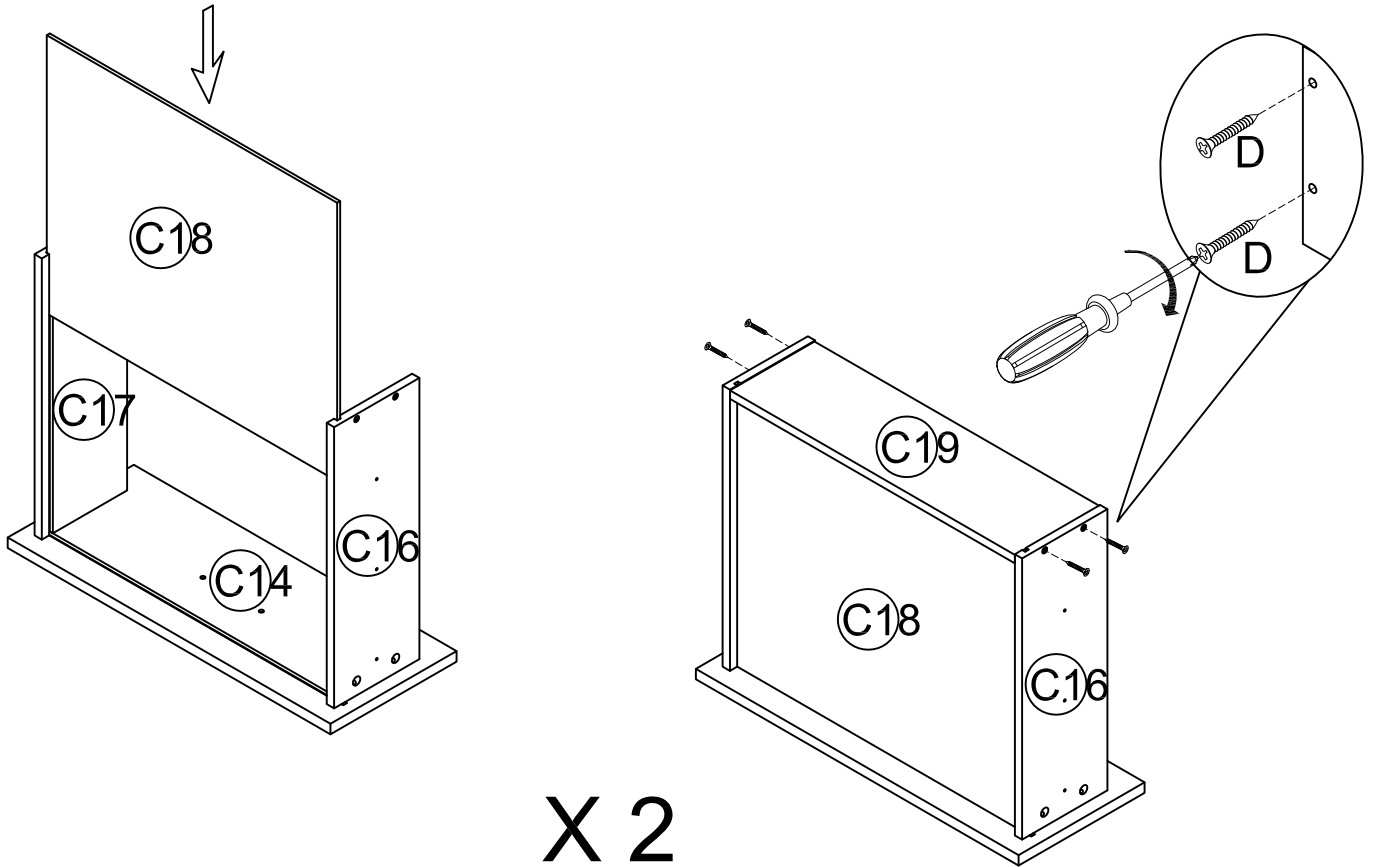
STEP 9: Use a Phillips Head Screw Driver to tighten Left Side Unit Top Panel(C2)and Right Side Unit Top Panel(C8)to the Top Panel(C1)throught Round Tube(N)with Bolt(M).Use a Phillips Head Screw Driver to tighten Left Side Unit Right Side Panel(C4)and Right Side Unit Left Side Panel(C9)to the Top Panel(C1)with Cam Lock(A).



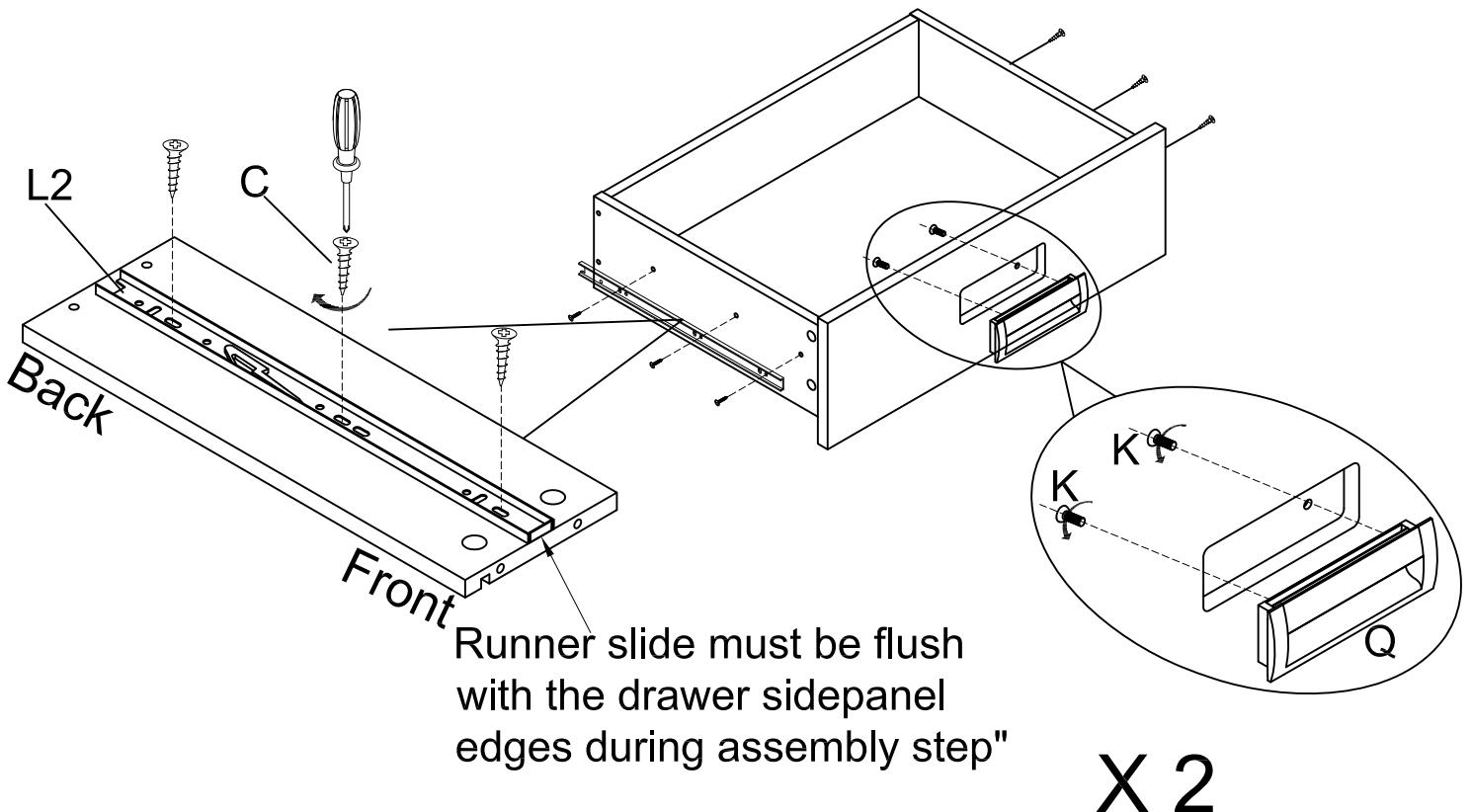
STEP 10: Use a Phillips Head Screwdriver to Insert Cam Pin(J)into the Drawer Front Pane(C14), Insert the Cam Lock(J)into the Drawer Side Panel(C16,C17),Use a Phillips Head Screwer to tighten Cam Lock to Cam Pin.



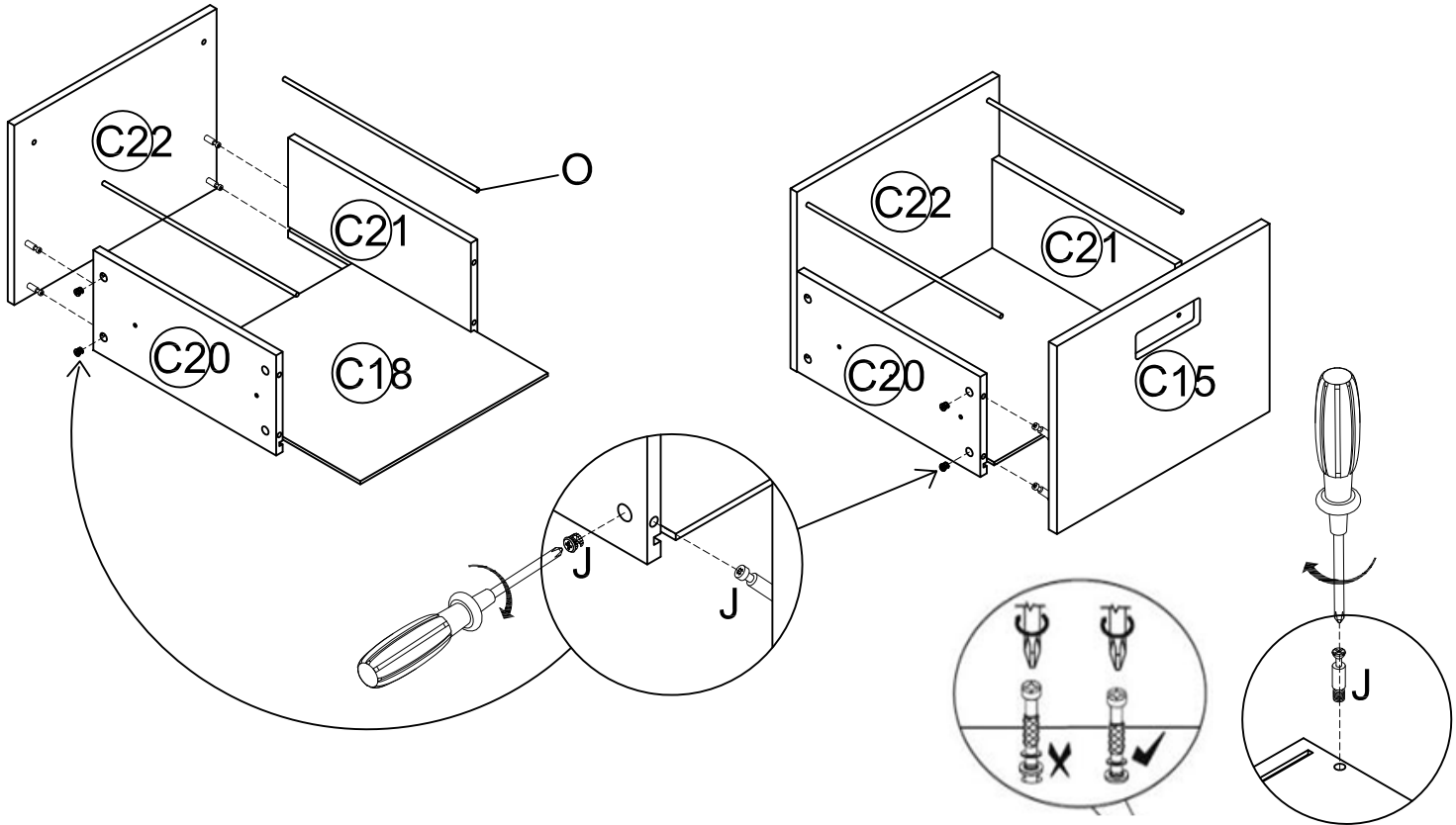
STEP 11: Insert the Back Panel(C18)to the Drawer Side panel(C16,C17) and Drawer Front Panel(C14)Use a Pillips Head Screwdriver to tighten Drawer Back Panel(C19)to the Drawer Side Panel(C6,C17)with Screw(D).



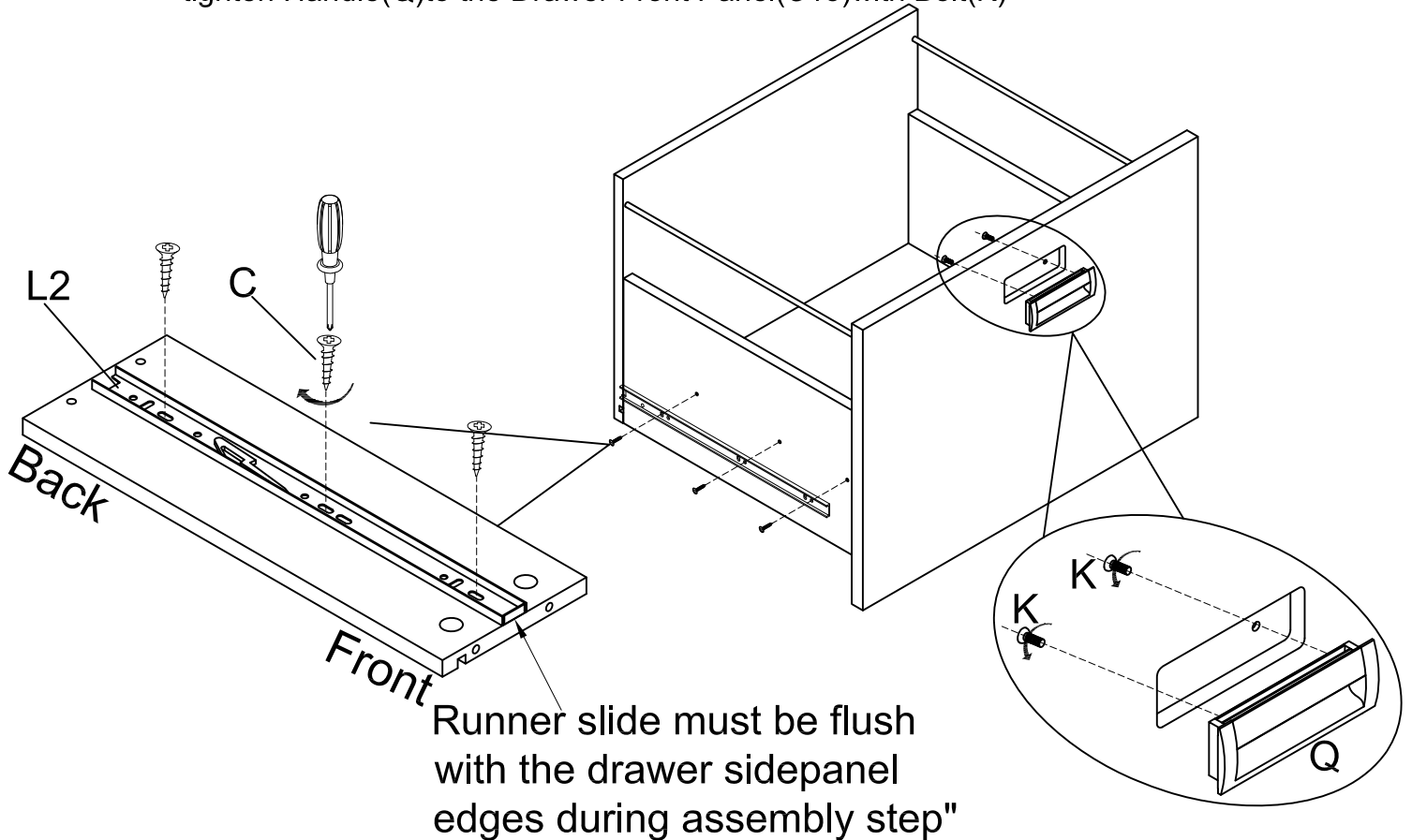
STEP 12: Use a Pillips Head Screwdriver to tighten Runner(L2)to the Drawer Side Panel(C16,C17) with Screw(C)and tighten Handle(Q)to thd Drawer Front Panel(C14)with Bolt(K)



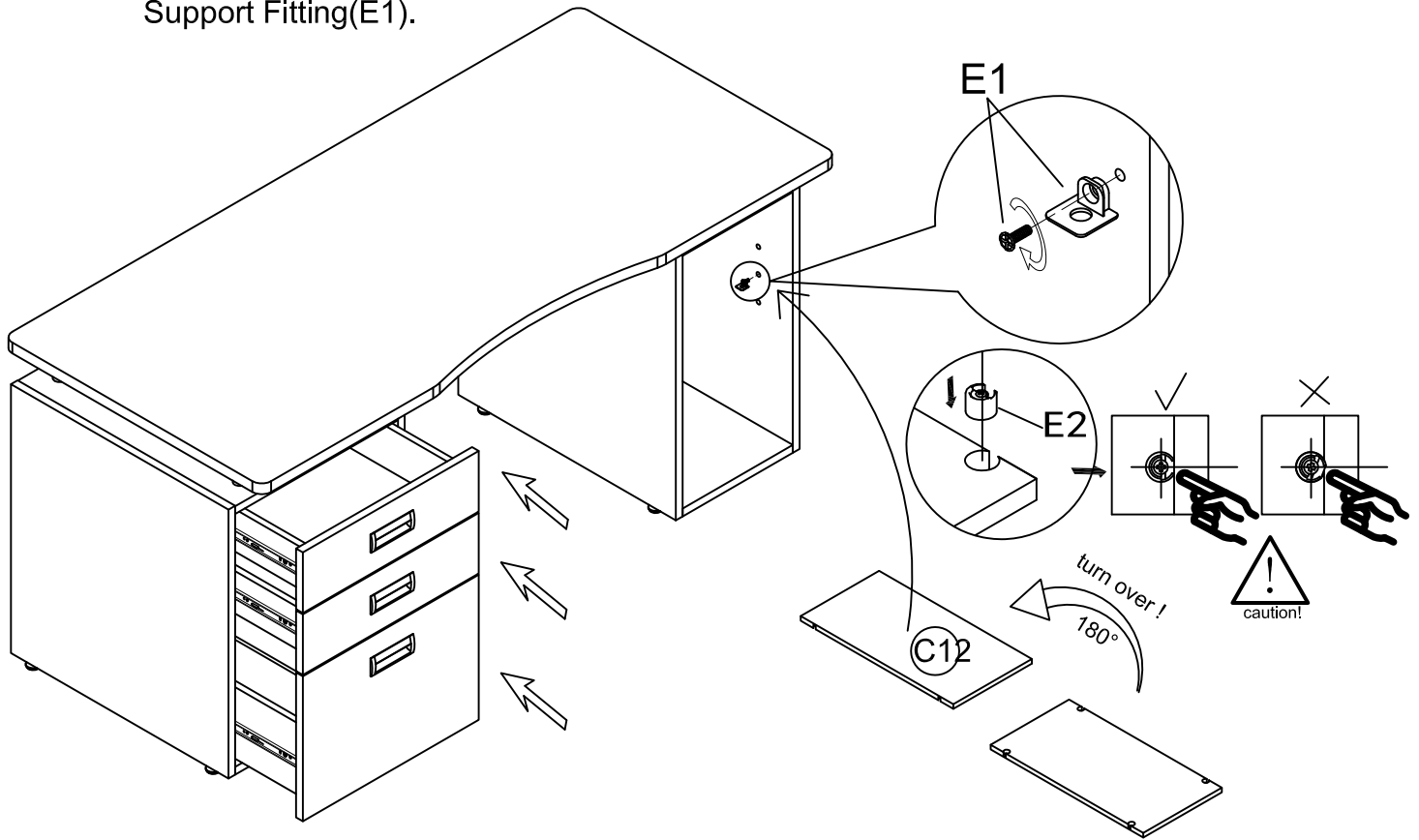
STEP 13: Use a Phillips Head Screw Driver to tighten the Big Drawer Back (C22) to the Big Drawer Left Side and Right Side Panel (C20, C21) with Cam Lock (J). Insert the Drawer Bottom Panel (C18) to the Drawer Left Side and Right Side Panel (C20, C21) and Big Drawer Back Panel (C22), Insert the Hanger Bar (O) to the Big Drawer Back Panel (C22) and Big Drawer Front Panel (C15), Use a Phillips Head Screw Driver to tighten the Big Drawer Front Panel (C15) to the Big Drawer Left Side and Right Side Panel (C20, C21) with Cam Lock (J).



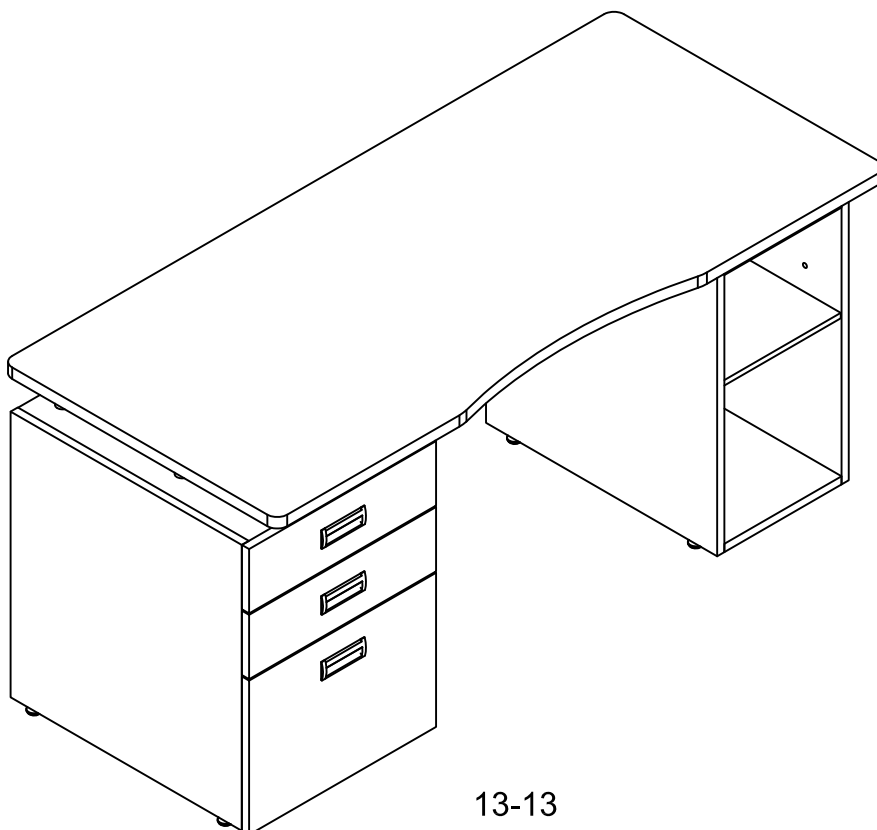
STEP 14: Use a Phillips Head Screw Driver to tighten the Runner (L2) Drawer Left Side Panel (C20,) and Right Side Panel (C21) with Screw (C). Use a Phillips Head Screw Driver to tighten Handle (Q) to the Drawer Front Panel (C15) with Bolt (K)



STEP 15: Insert the Drawer to the body. Use a Phillips Head Screw Driver to tighten Shelf Support Fitting(E1) to the Right Side Unit Left Side and Right Side Panel(C9,C10), Insert the Shelf Support Fitting(E2) to the Shelf Panel(C12) than insert the Shelf Panel (C12) to the Shelf Support Fitting(E1).



Assembly is complete.



SAFETY BRACKETS INSTRUCTIONS

This furniture poses a tipping risk and as such must be secured to a wall using the provided tipping kit.

1. Attach one Mounting Plate to the wall with the Large Screws. Make sure to attach the Mounting Plate into a stud. If mounting into brick or masonry you will need to acquire wall anchors. Please enquire with your local hardware supplier for appropriate fixings.
2. Attach the second Mounting Plate to the furniture frame with the Short Screws.
3. Move the furniture to its final position. Thread a Wall Strap through the both Mounting Plates and tighten until snug. Do not over tighten.
4. Make sure that the Mounting Plates are firmly attached to the wall and furniture and that the Wall Strap is snug.

HARDWARE



Mounting Plate x 2



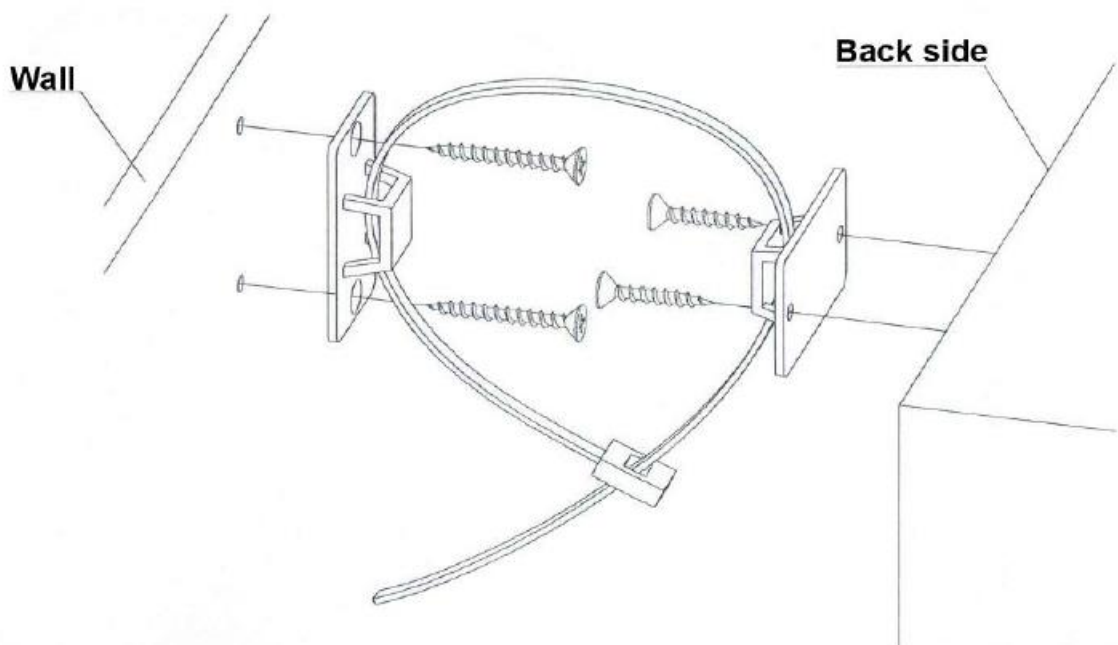
Wall Strap x 1



Large Screw x2



Small Screw x2



IMPORTANT: CARE GUIDE FOR YOUR HI-GLOSS FURNITURE

Congratulations! You have just purchased a quality product from Amart Furniture, Australia's largest discount furniture retail store. Please read on for important information regarding your purchase...

Hi-gloss lacquered furniture is more sensitive to marks and scratching than some other furniture products. It is important to exercise caution and care to maximise the life and beauty of this product.

Following the below simple guidelines when using your hi-gloss product will protect your investment for years to come:

- Dust frequently with a clean damp, lint-free cloth. This will help remove abrasive build up which can damage a finish over time.
- Avoid using chemicals or solvents when cleaning the product.
- Do not place hot objects on any furniture surface. Always use a hot plate or placemat. Lacquer finishes provide added scratch and heat resistance to our furniture, but they can still be damaged without proper care.
- Avoid exposing your furniture to strong sunlight. Prolonged exposure to direct sunlight can fade the finish of your furniture.
- Do not expose your furniture to any liquids. Avoid allowing water to sit on your furniture. Alcohol, nail polish and perfume are particularly harmful as they will dissolve the lacquer finish on contact.
- Do not allow plastic to come in direct contact with your furniture. Chemicals in the plastic of some placemats etc may soften and mark the finish if left in contact with the furniture for a period of time.
- Avoid placing sharp or rough objects on the surface of your furniture. These may scratch the surface of the product.
- When moving your furniture, do not drag it across the floor. This may damage the product. Instead use two people to lift carefully with caution from either end.